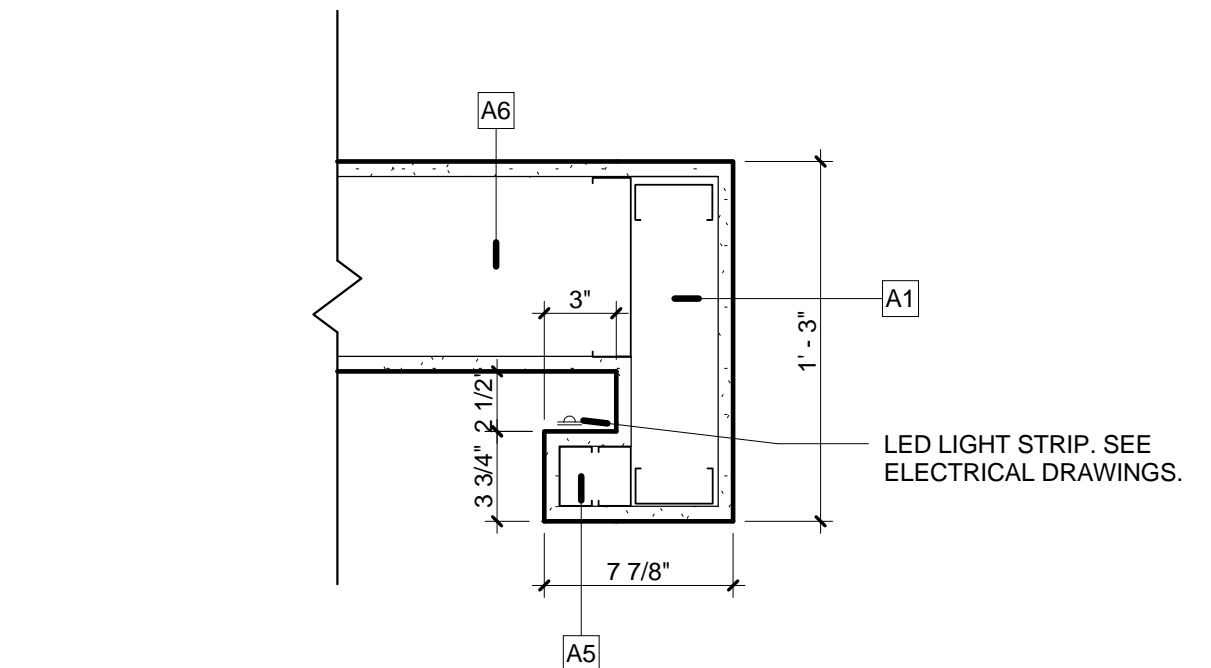
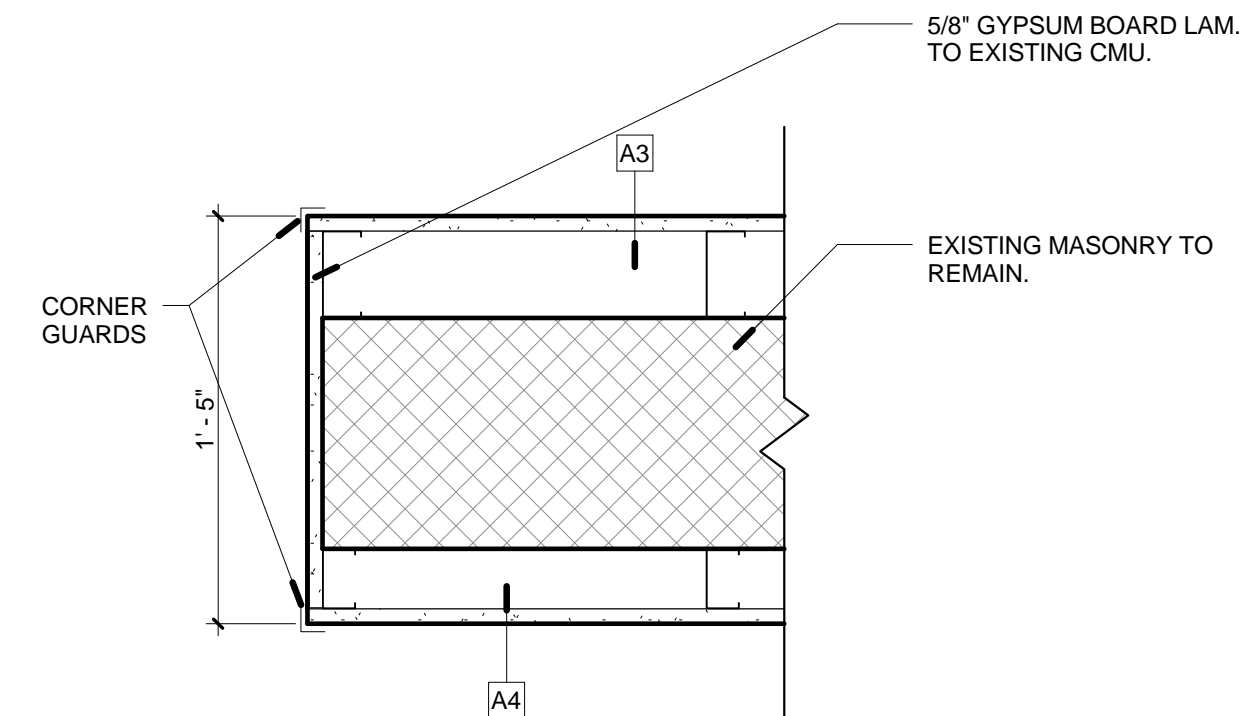


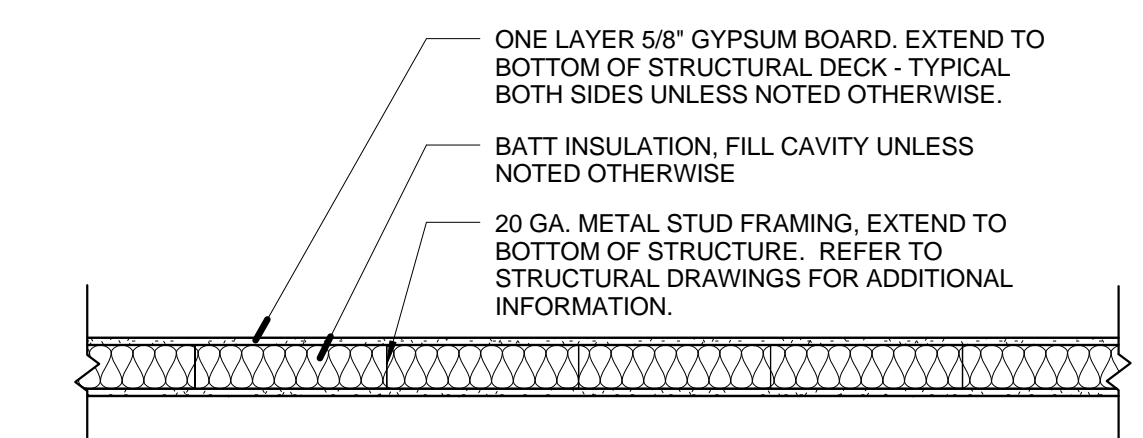
1 DETAIL @ CORRIDOR WALL CONNECTION
1 1/2" = 1'-0"



2 DETAIL @ RECESSED LIGHT FIXTURE
1 1/2" = 1'-0"



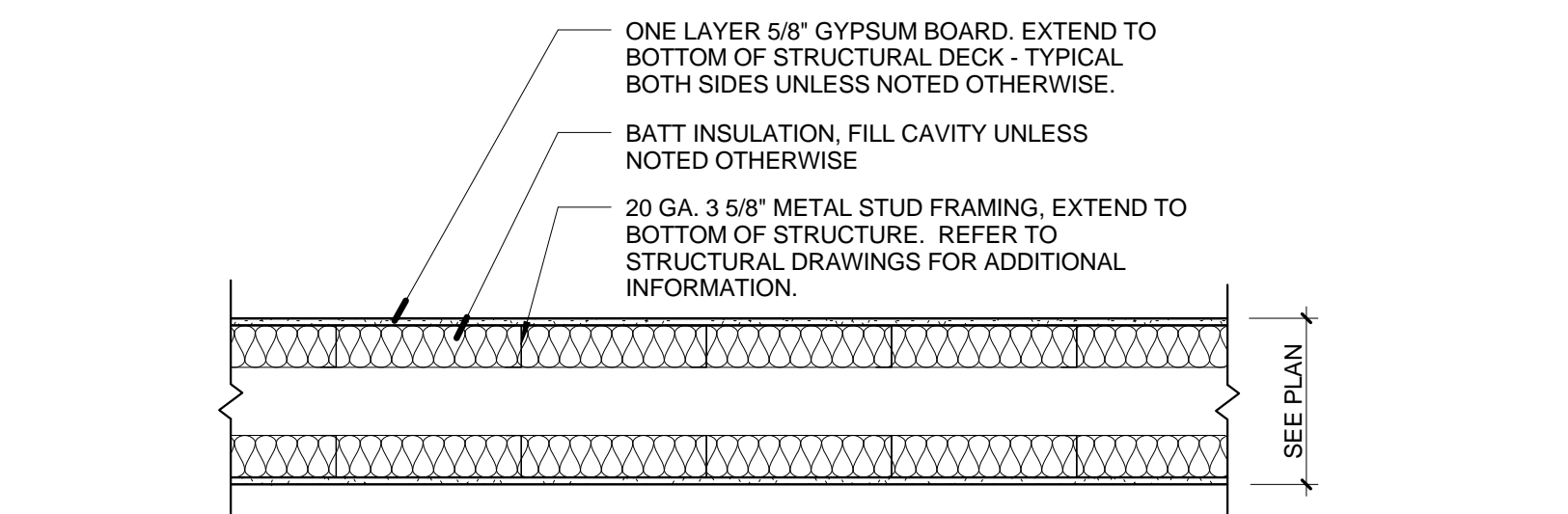
3 JAMB DETAIL @ EXISTING MASONRY WALL
1 1/2" = 1'-0"



4 DETAIL @ GLAZING & COLUMN
1 1/2" = 1'-0"

WALL TYPE A - INTERIOR STUD WALL

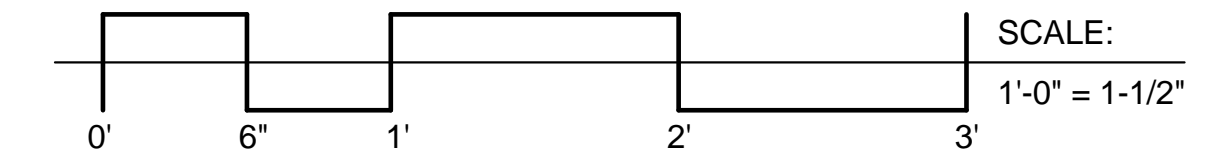
DETAIL	CMU THICKNESS	STUD SIZE	STUD SPACING	NOMINAL WALL THICKNESS	MAX. HEIGHT	FIRE RATING	FIRE TEST NO.	REMARKS
A1	-	3 5/8"	16" O.C.	4 7/8"	-	-	-	AS SHOWN
A2	-	3 5/8"	16" O.C.	6 1/8"	-	2 hr.	-	2 LAYERS OF GYP.
A3	-	3 5/8"	16" O.C.	4 7/8"	-	-	-	GYP. ON 1 SIDE OF WALL
A4	-	2 1/2"	16" O.C.	3 1/8"	-	-	-	GYP. ON 1 SIDE OF WALL
A5	-	2 1/2"	16" O.C.	3 3/4"	-	-	-	-
A6	-	7 1/2"	16" O.C.	6 3/4"	-	-	-	-



WALL TYPE B - PLUMBING WALL

DETAIL	CMU THICKNESS	STUD SIZE	STUD SPACING	NOMINAL WALL THICKNESS	MAX. HEIGHT	FIRE RATING	FIRE TEST NO.	REMARKS
B1	-	6"	16" O.C.	SEE PLAN	-	-	-	AS SHOWN

PARTITION LEGEND
NOT TO SCALE



101% DESIGN SUBMITTAL

FLOOR PLAN DETAILS CONSTRUCT INNOVATION CENTER - ACADEMIC BUILDING ILLINOIS MATH & SCIENCE ACADEMY 1500 SULLIVAN ROAD AURORA, IL 60506	CDB PROJECT NO. 805-030-019
	DATE 6/2/2015
	SHEET NO. A2.2

BUILDING #CP 078

NOTE: CONTRACTOR SHALL OBTAIN AND VERIFY ALL DIMENSIONS AND CONDITIONS AT JOB SITE AND BE FULLY RESPONSIBLE FOR SAME.

REVISIONS			CCA PROJ. #:	PREPARED	OFF.
NO.	DATE	REMARKS	14357		
			DRAWN	APPROVED	
			SSB / MT		
			CHECKED	APPROVED	
			BC		

• CORDOGAN, CLARK & ASSOCIATES, INC. •
 ARCHITECTS • ENGINEERS •
 www.cordoganclark.com

Aurora 960 Ridgeway Avenue Chicago 60506
 Aurora, Illinois 60506 Tel 312.943.7200
 Tel 630.896.4675 Fax 312.943.4771



State of Illinois
 Bruce Rauner, Governor
 Illinois Capital Development Board

6/3/2015 2:44:21 PM