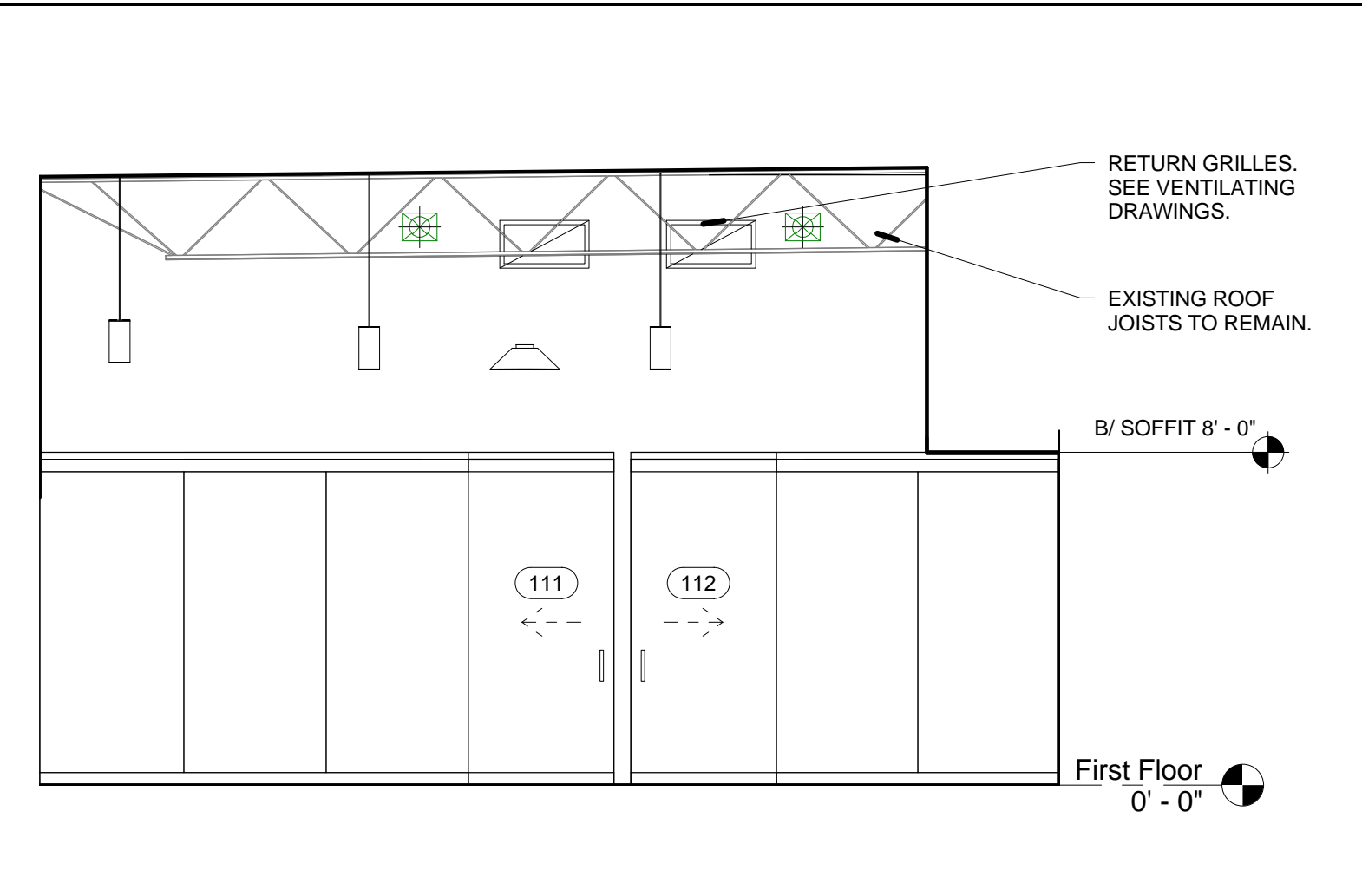
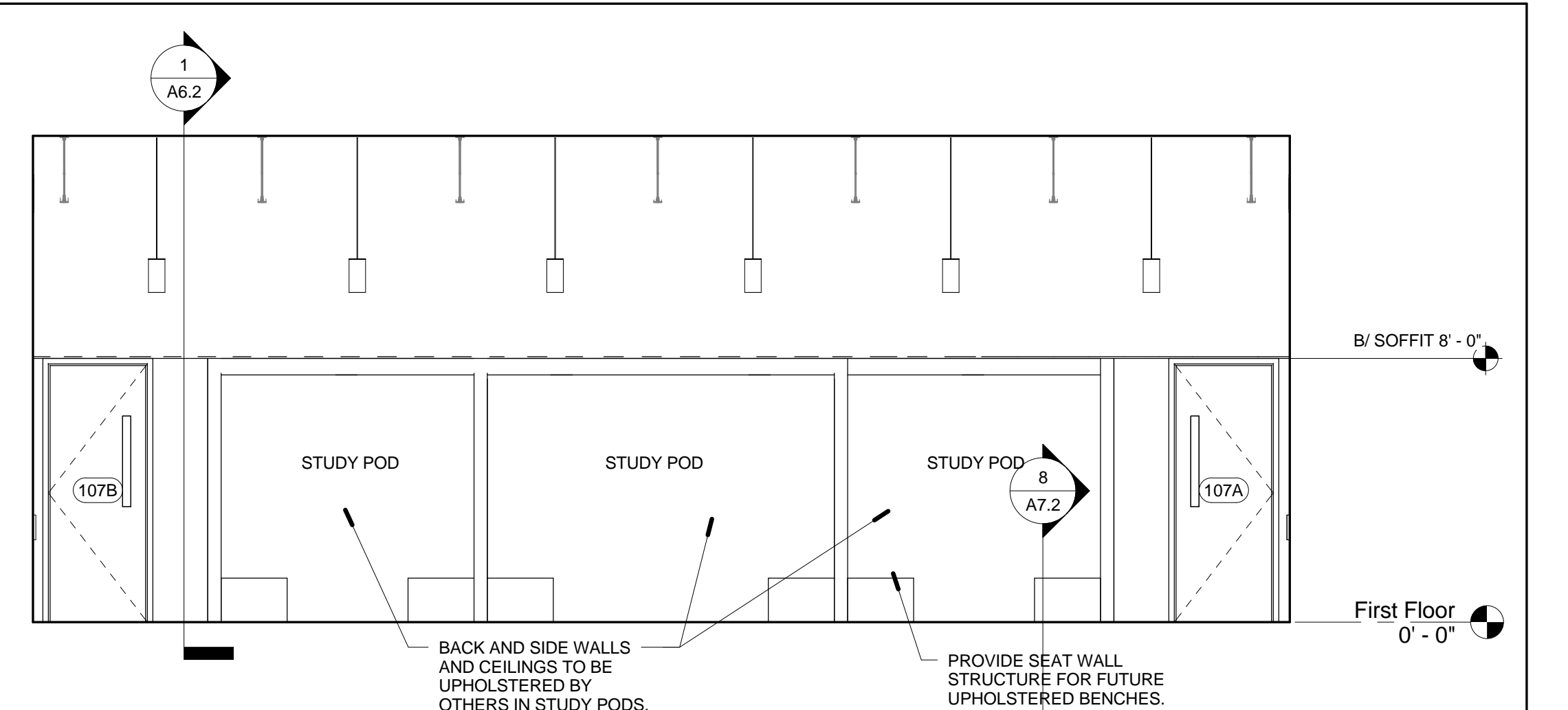


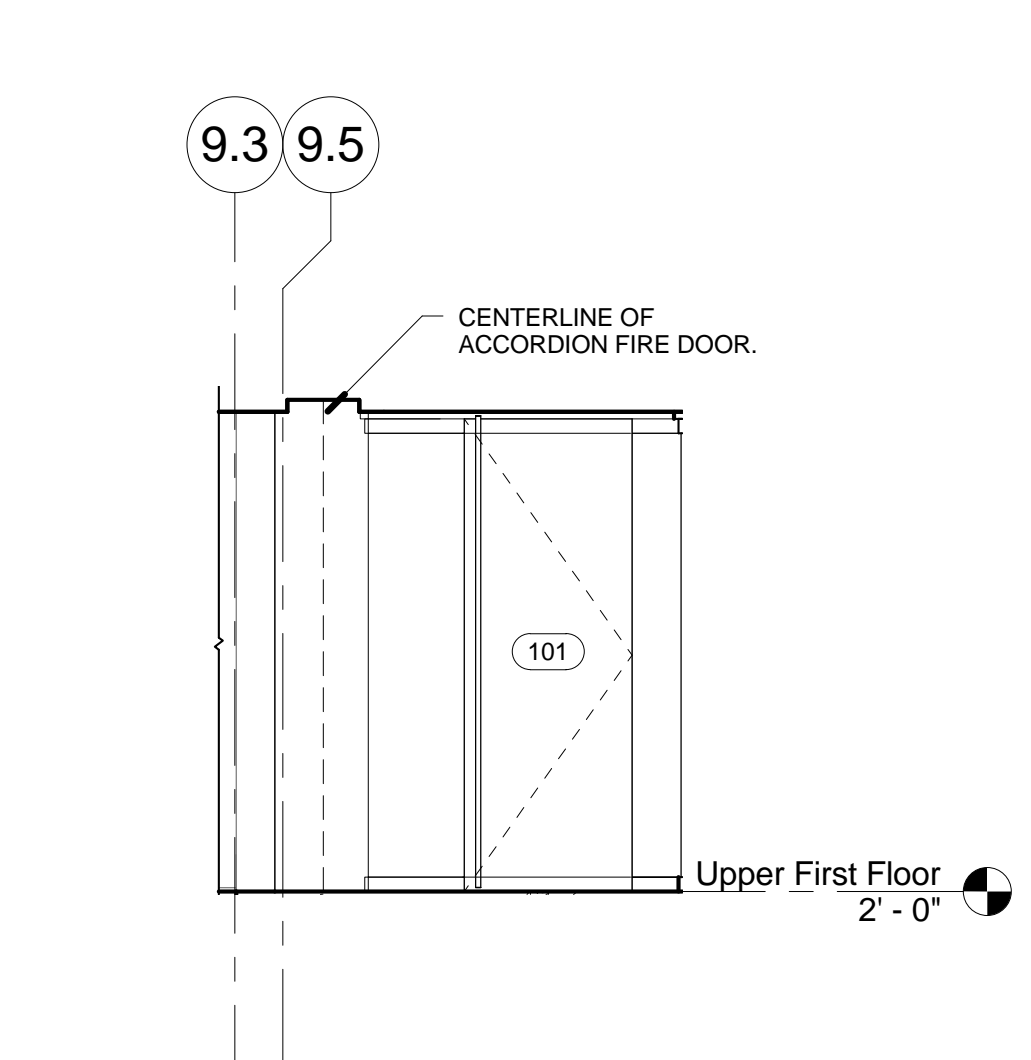
1 INTERIOR ELEVATION @ FLEX SPACE 2, NORTH
1/4" = 1'-0"



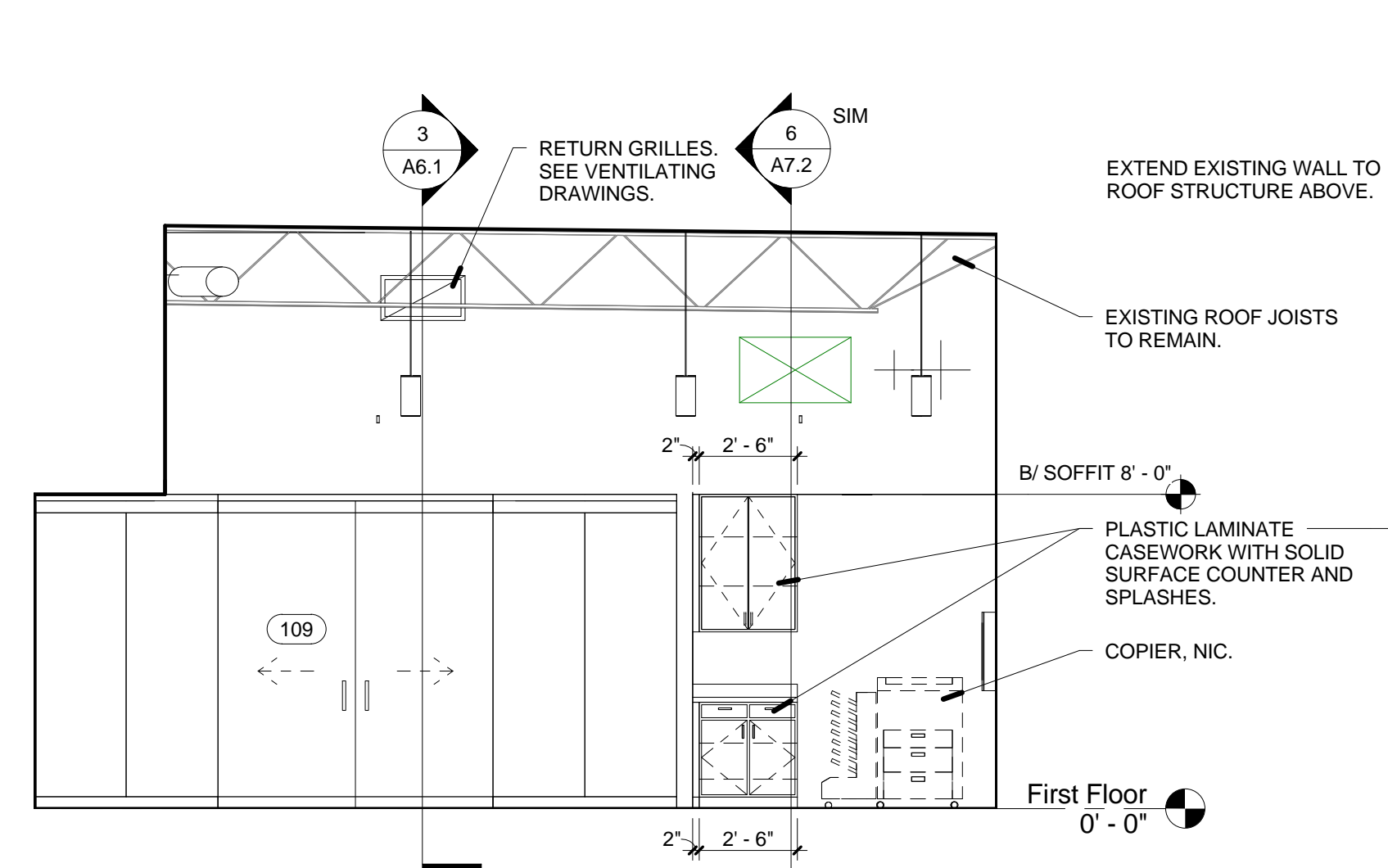
2 INTERIOR ELEVATION @ FLEX SPACE 2, EAST
1/4" = 1'-0"



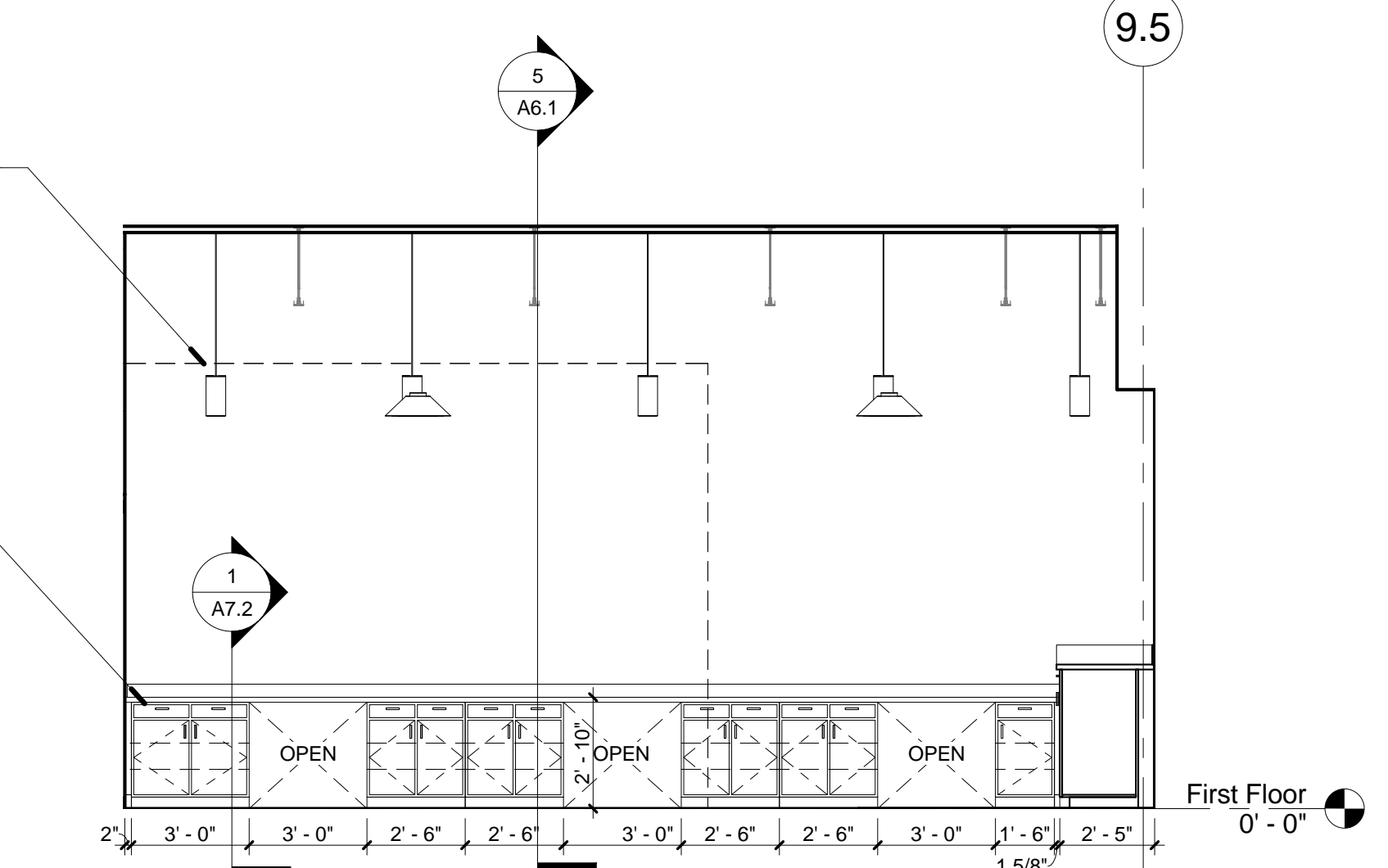
3 INTERIOR ELEVATION @ FLEX SPACE 2, SOUTH
1/4" = 1'-0"



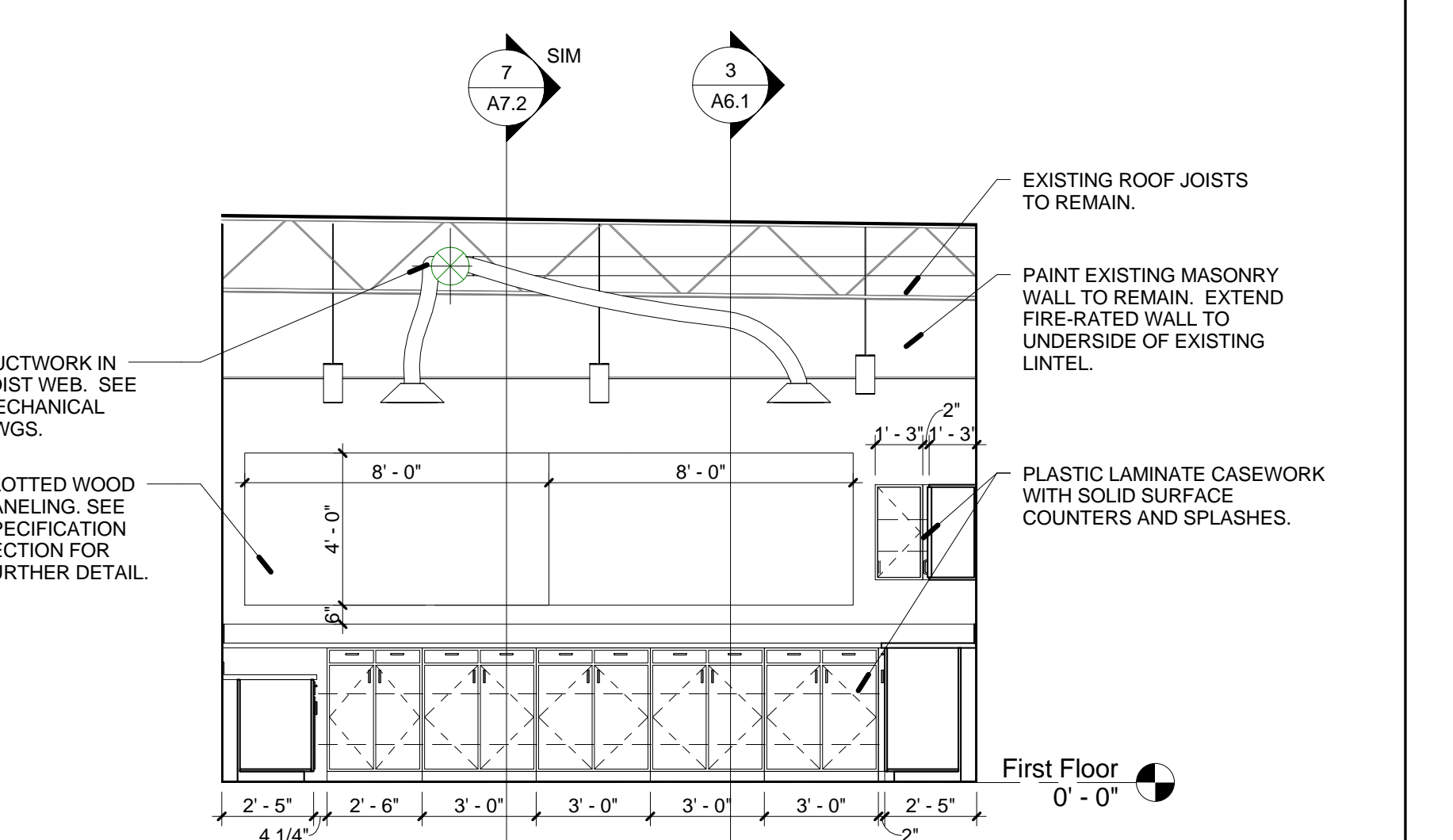
4 INTERIOR ELEVATION @ ENTRY, NORTH
1/4" = 1'-0"



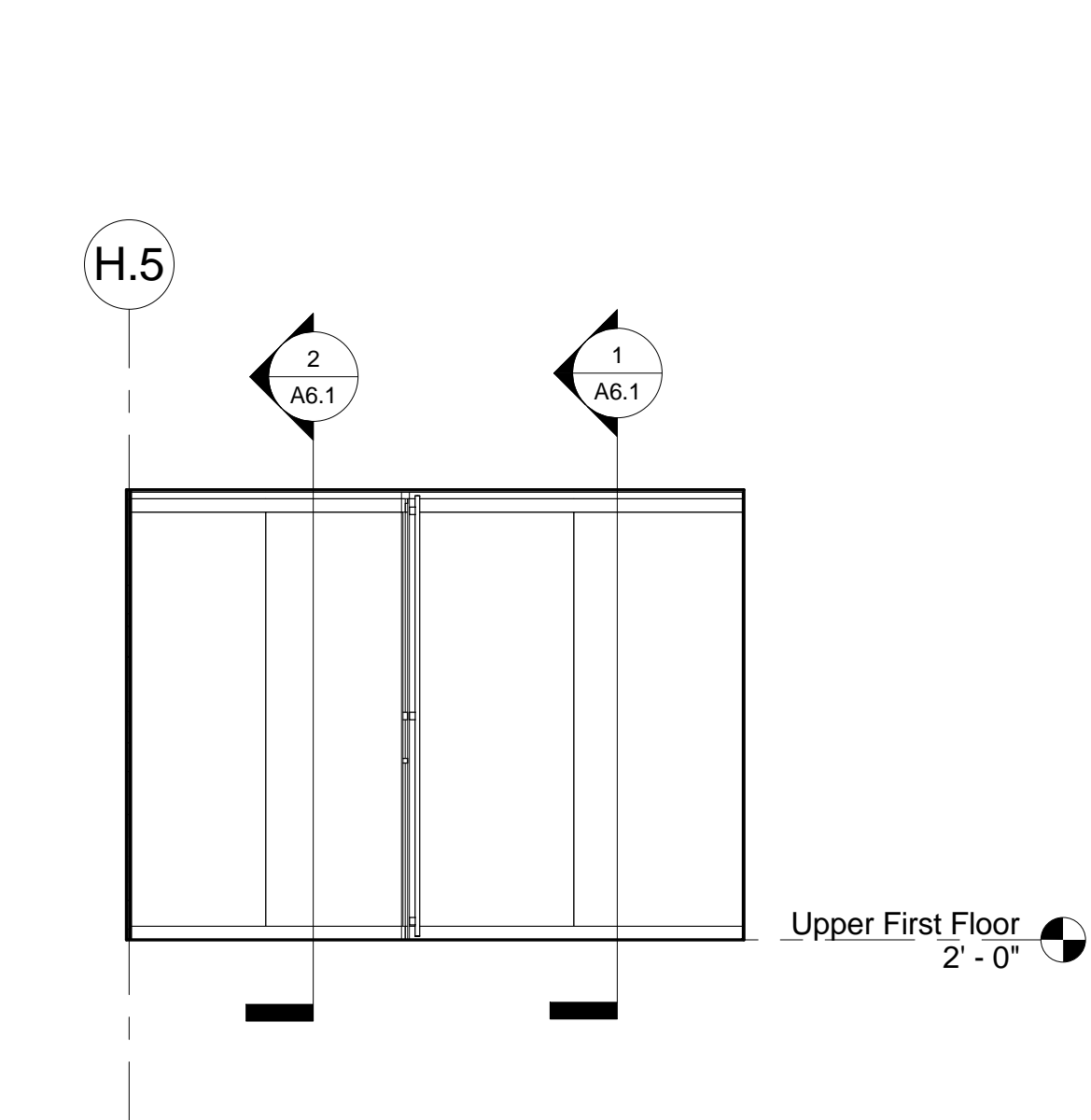
5 INTERIOR ELEVATION @ FLEX SPACE 2, WEST
1/4" = 1'-0"



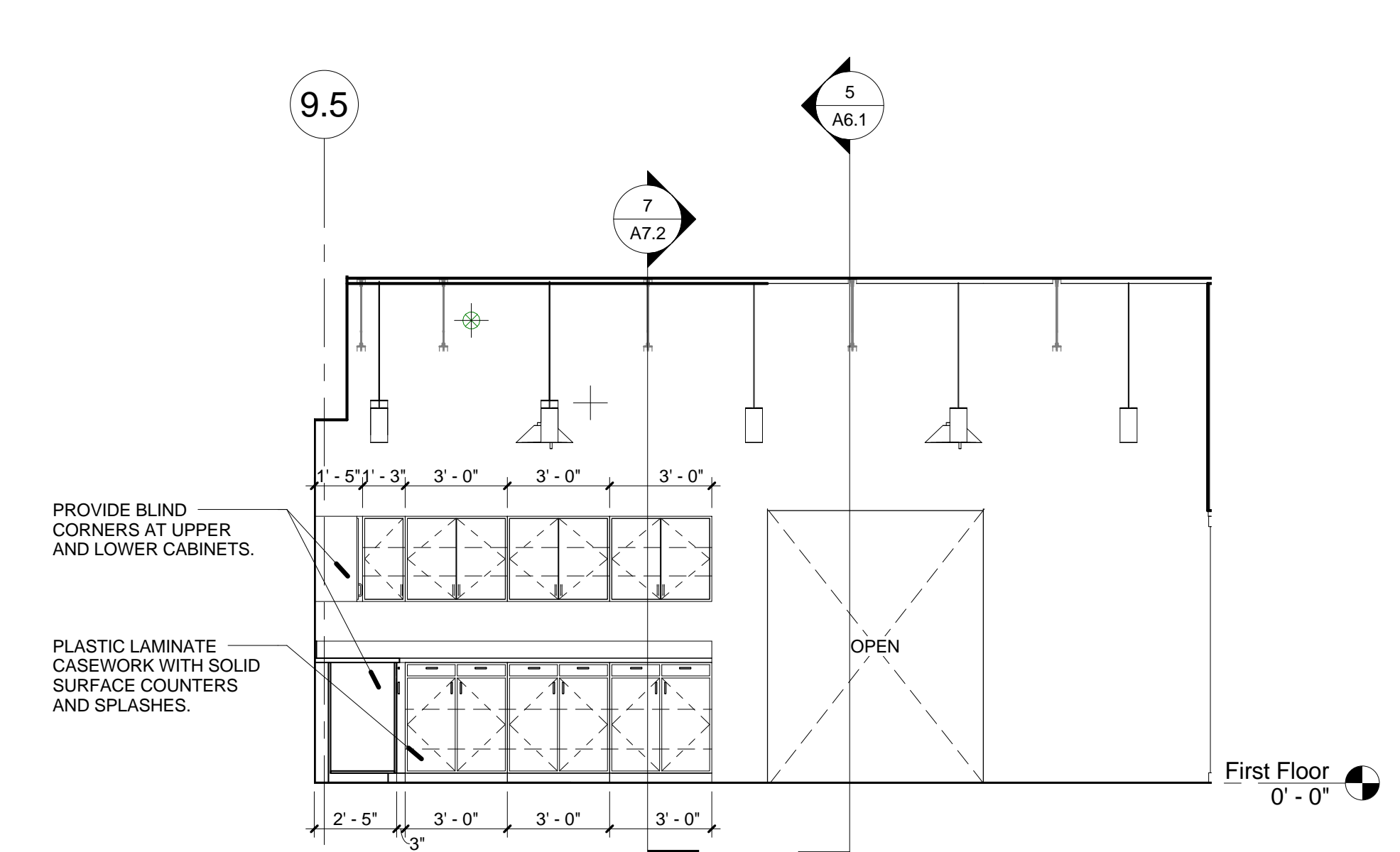
6 INTERIOR ELEVATION @ MAKER SPACE, SOUTH
1/4" = 1'-0"



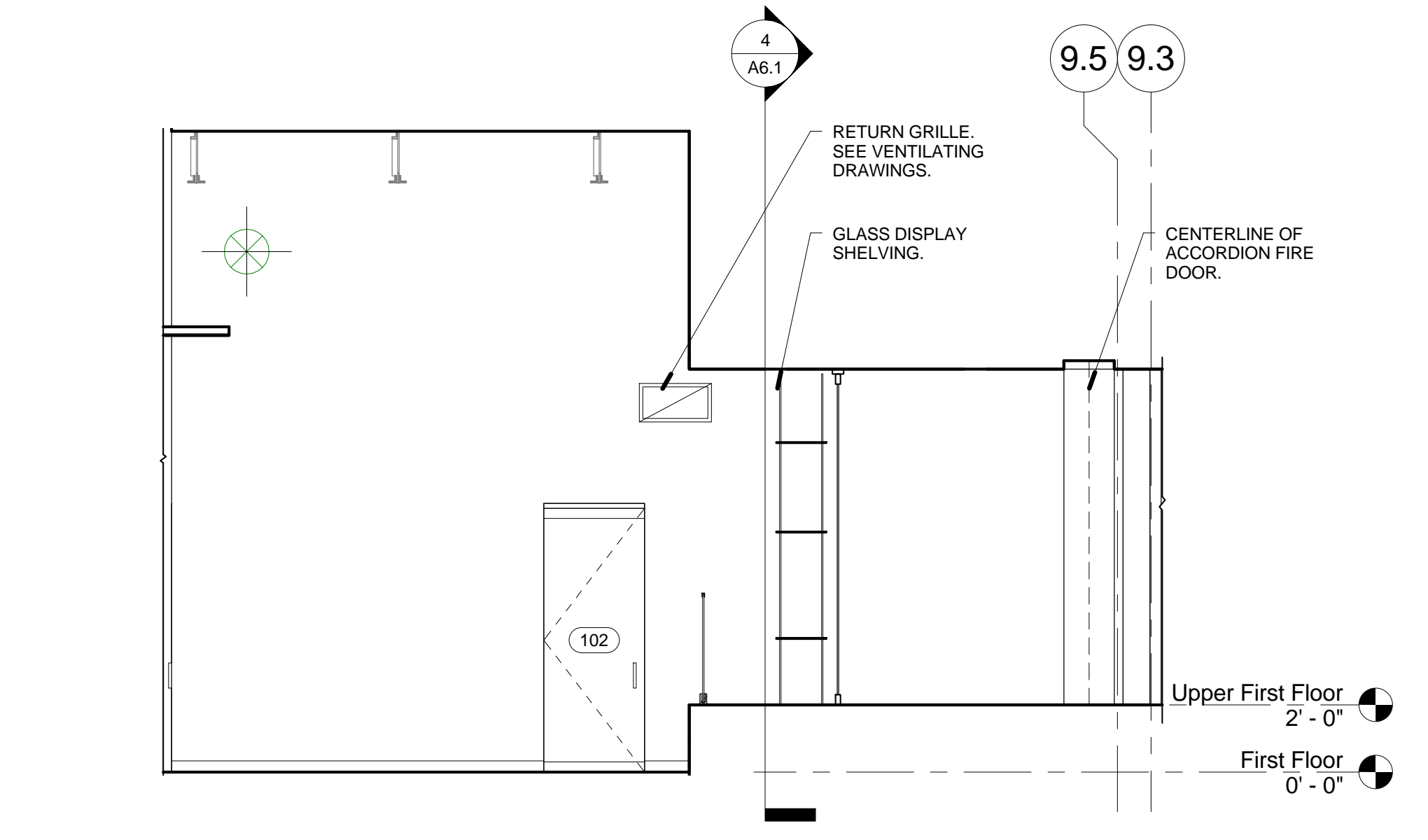
7 INTERIOR ELEVATION @ MAKER SPACE, WEST
1/4" = 1'-0"



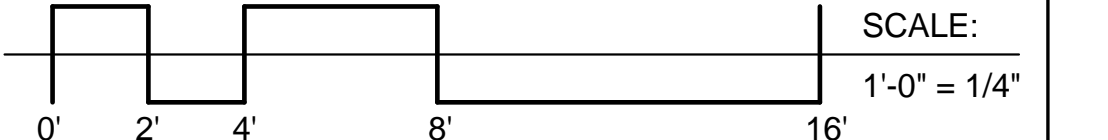
8 INTERIOR ELEVATION @ ENTRY, EAST
1/4" = 1'-0"



9 INTERIOR ELEVATION @ MAKER SPACE, NORTH
1/4" = 1'-0"



10 INTERIOR ELEVATION @ FLEX SPACE 1 ENTRY LOOKING SOUTH
1/4" = 1'-0"



NOTE: CONTRACTOR SHALL OBTAIN AND VERIFY ALL DIMENSIONS AND CONDITIONS AT JOB SITE AND BE FULLY RESPONSIBLE FOR SAME.

101% DESIGN SUBMITTAL

REVISIONS		
NO.	DATE	REMARKS

CCA PROJ. #:	14357	PREPARED	OFF.
DRAWN	SSB / MT	APPROVED	
CHECKED	BC	APPROVED	

• CORDOGAN, CLARK & ASSOCIATES, INC. •
: ARCHITECTS • ENGINEERS :
www.cordoganclark.com

Aurora 960 Ridgeway Avenue Chicago, Illinois 60506 Tel 312.986.4675 Fax 312.986.4887

Chicago 716 North Wells Street Chicago, Illinois 60610 Tel 312.943.7300 Fax 312.943.4771



State of Illinois
Bruce Rauner, Governor
Illinois Capital Development Board

INTERIOR ELEVATIONS
CONSTRUCT INNOVATION CENTER - ACADEMIC BUILDING
ILLINOIS MATH & SCIENCE ACADEMY
1500 SULLIVAN ROAD
AURORA, IL 60506
BUILDING #CP 078

CDB PROJECT NO.
805-030-019
DATE
6/2/2015
SHEET NO.
A8.2

6/3/2015 2:45:31 PM