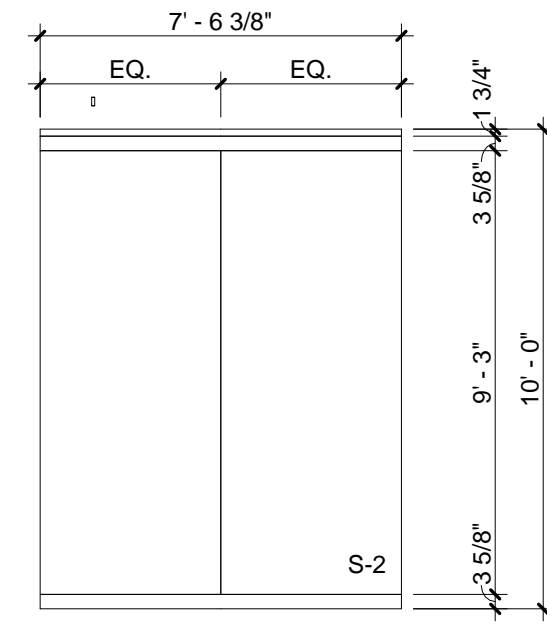
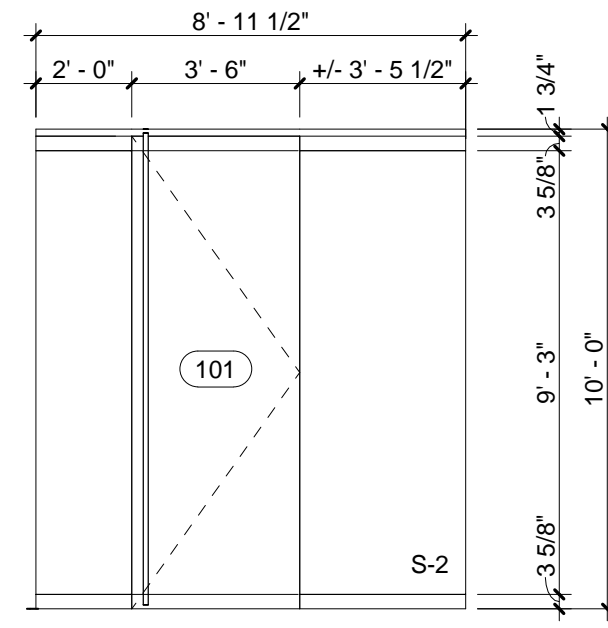


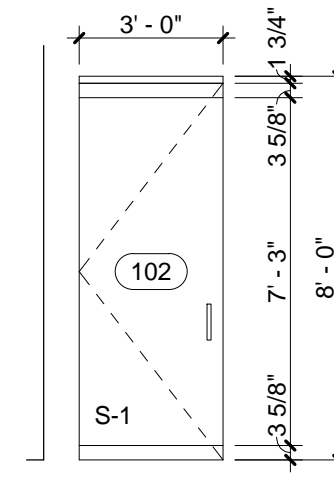
1 GLAZING ELEVATION @ NEW ENTRY I
1/4" = 1'-0"



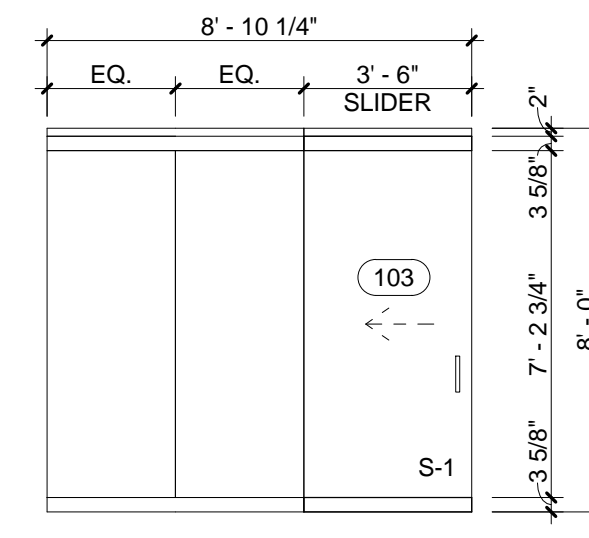
2 GLAZING ELEVATION @ NEW ENTRY II
1/4" = 1'-0"



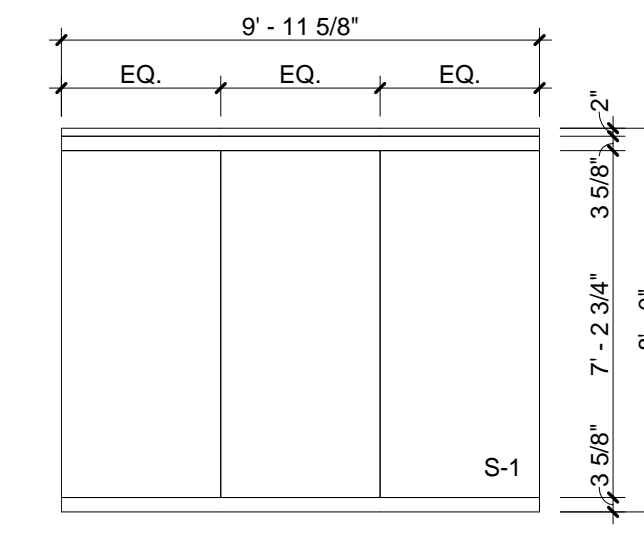
3 GLAZING ELEVATION @ DOOR 101
1/4" = 1'-0"



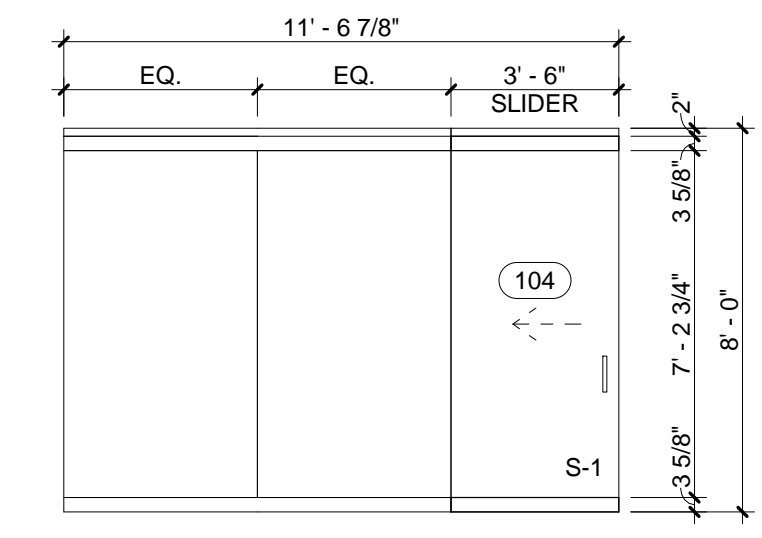
4 GLAZING ELEVATION @ DOOR 102
1/4" = 1'-0"



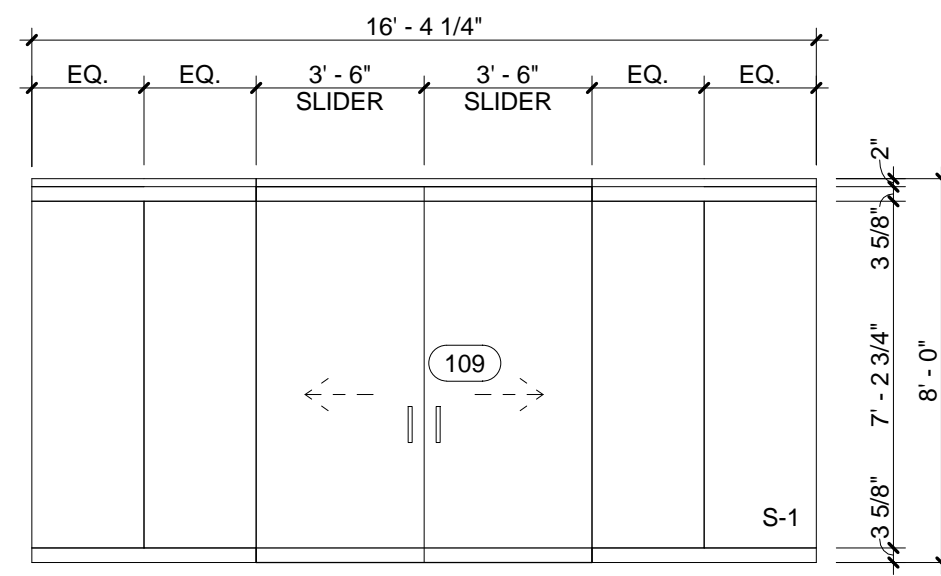
5 GLAZING ELEVATION @ OFFICE 103
1/4" = 1'-0"



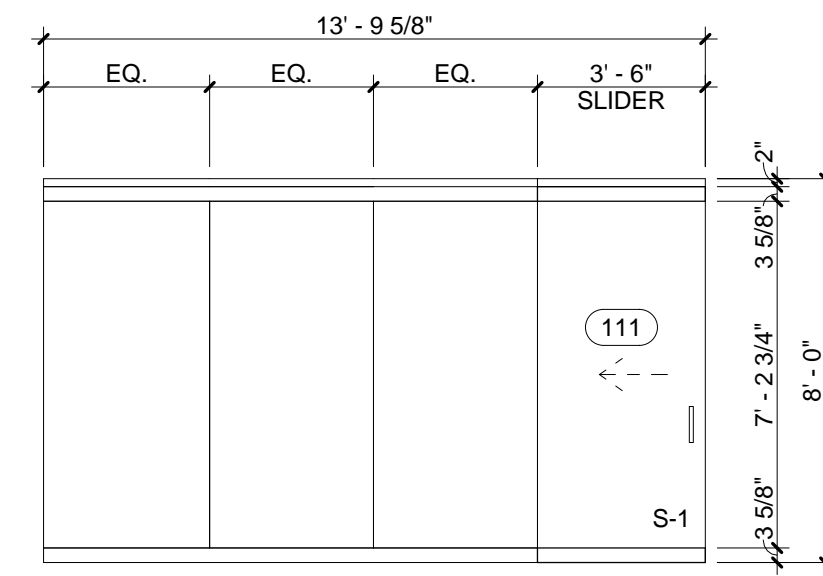
6 GLAZING ELEVATION @ LEARNING LAB, SOUTH
1/4" = 1'-0"



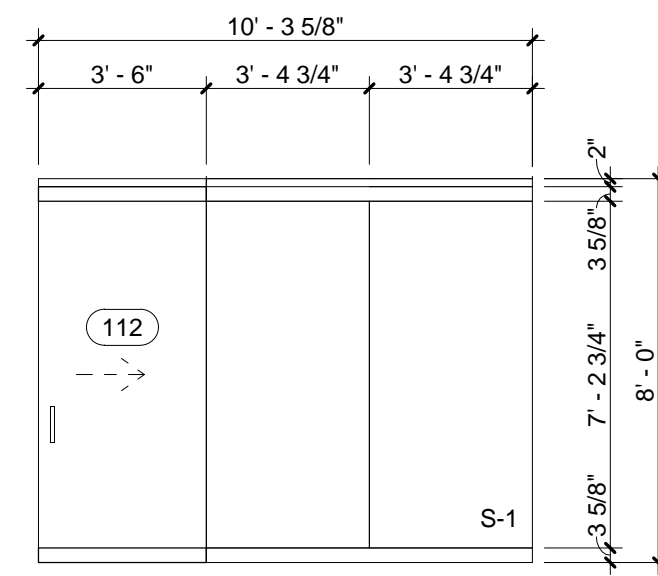
7 GLAZING ELEVATION @ LEARNING LAB, NORTH
1/4" = 1'-0"



8 GLAZING ELEVATION @ MAKER SPACE 109
1/4" = 1'-0"



9 GLAZING ELEVATION @ CONFERENCE 111
1/4" = 1'-0"



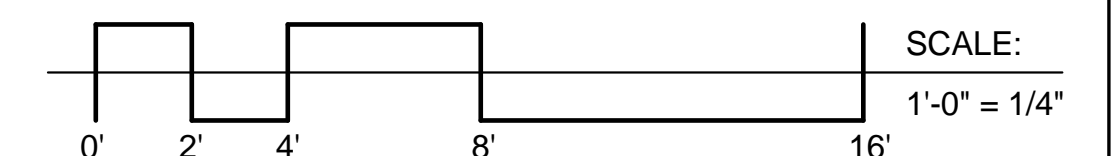
10 GLAZING ELEVATION @ CONFERENCE 112
1/4" = 1'-0"

GENERAL GLAZING SYSTEM NOTES:
 1. ALL DIMENSIONS SHALL BE VERIFIED IN THE FIELD BY MANUFACTURER PRIOR TO FABRICATION TO COORDINATE AVAILABLE DIMENSIONS AND NECESSARY TOLERANCES AT JAMBS AND HEADS.
 2. SEE HEAD DETAILS ON OTHER SHEET FOR INFORMATION REGARDING SHIMMING REQUIRED AT HEADS TO ALIGN TOP SIGHT LINES ALONG SLIDING DOOR WALLS.

GLAZING SCHEDULE

REFER TO SPECIFICATION SECTION 08 80 00 FOR FURTHER DETAIL ON GLAZING TYPES AND ASSEMBLIES.

IG-1: 1" INSULATING GLAZING UNITS
 S-1: 5/8" VISION GLAZING
 S-2: 3/4" VISION GLAZING
 S-3: 1/4" VISION GLAZING (AT DOORS)



NOTE: CONTRACTOR SHALL OBTAIN AND VERIFY ALL DIMENSIONS AND CONDITIONS AT JOB SITE AND BE FULLY RESPONSIBLE FOR SAME.

6/3/2015 2:45:42 PM

REVISIONS		
NO.	DATE	REMARKS

CCA PROJ. #: 14357	PREPARED OFF.
DRAWN SSB / MT	APPROVED
CHECKED BC	APPROVED

• CORDOGAN, CLARK & ASSOCIATES, INC. •
 : ARCHITECTS • ENGINEERS :
 www.cordoganclark.com

Aurora Chicago
 960 Ridgeway Avenue 716 North Wells Street
 Aurora, Illinois 60506 Chicago, Illinois 60610
 Tel: 630.896.4675 Tel: 312.943.7200
 Fax: 630.896.4987 Fax: 312.943.4771



State of Illinois
 Bruce Rauner, Governor
 Illinois Capital Development Board

101% DESIGN SUBMITTAL

GLAZING ELEVATIONS

CONSTRUCT INNOVATION CENTER - ACADEMIC BUILDING
 ILLINOIS MATH & SCIENCE ACADEMY
 1500 SULLIVAN ROAD
 AURORA, IL 60506
 BUILDING #CP 078

CDB PROJECT NO.
805-030-019
 DATE
6/2/2015
 SHEET NO.
A9.2