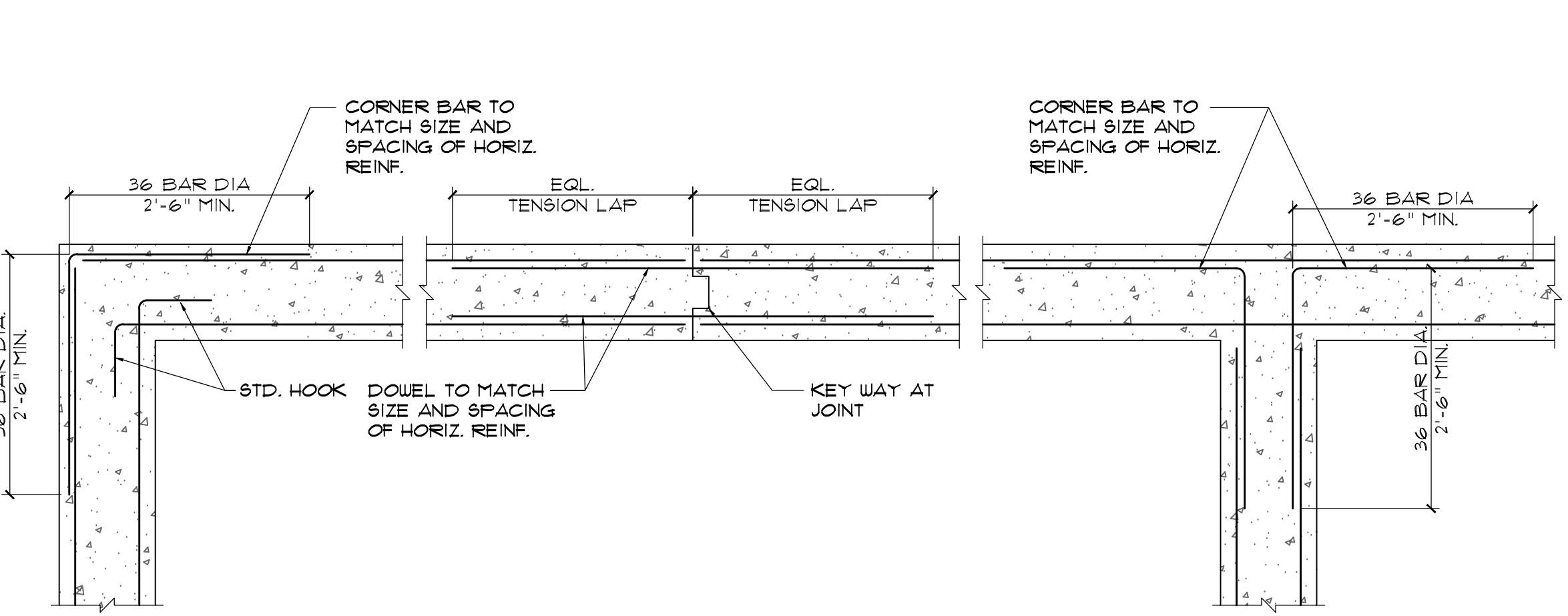
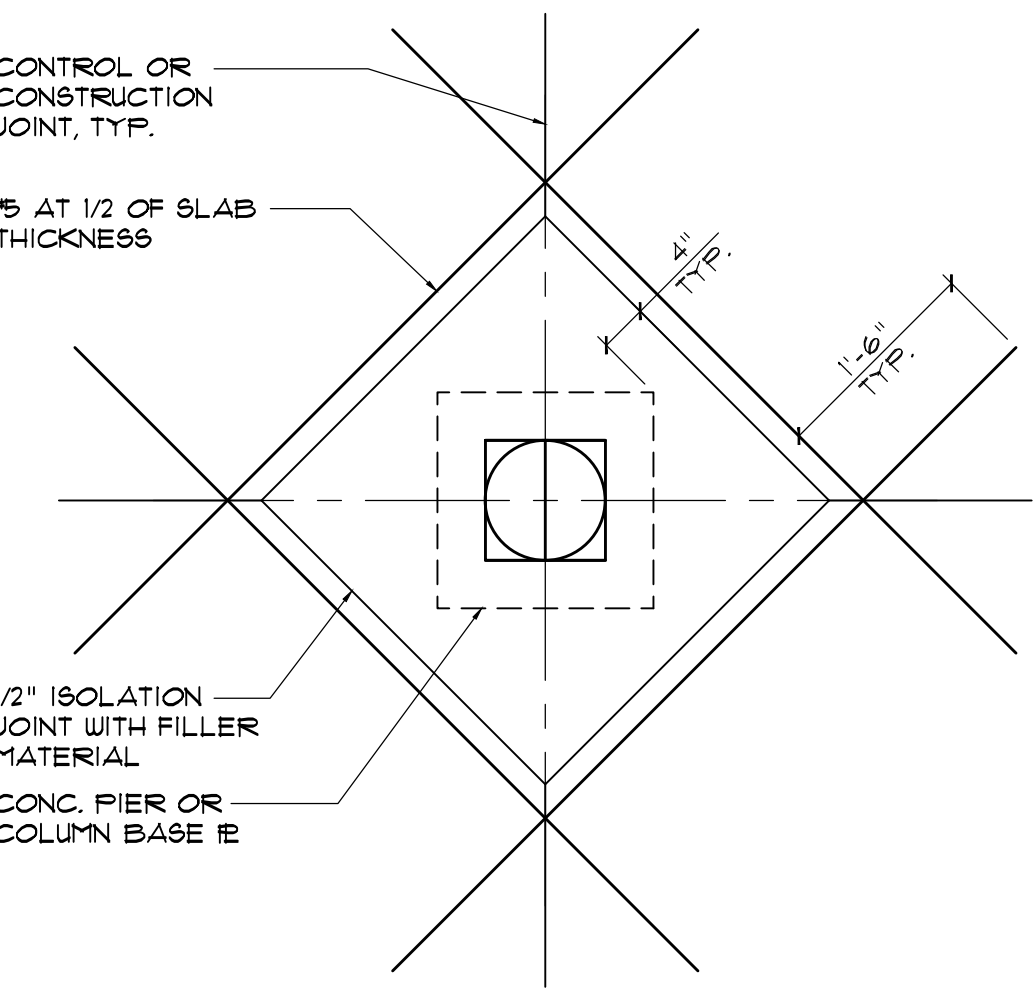


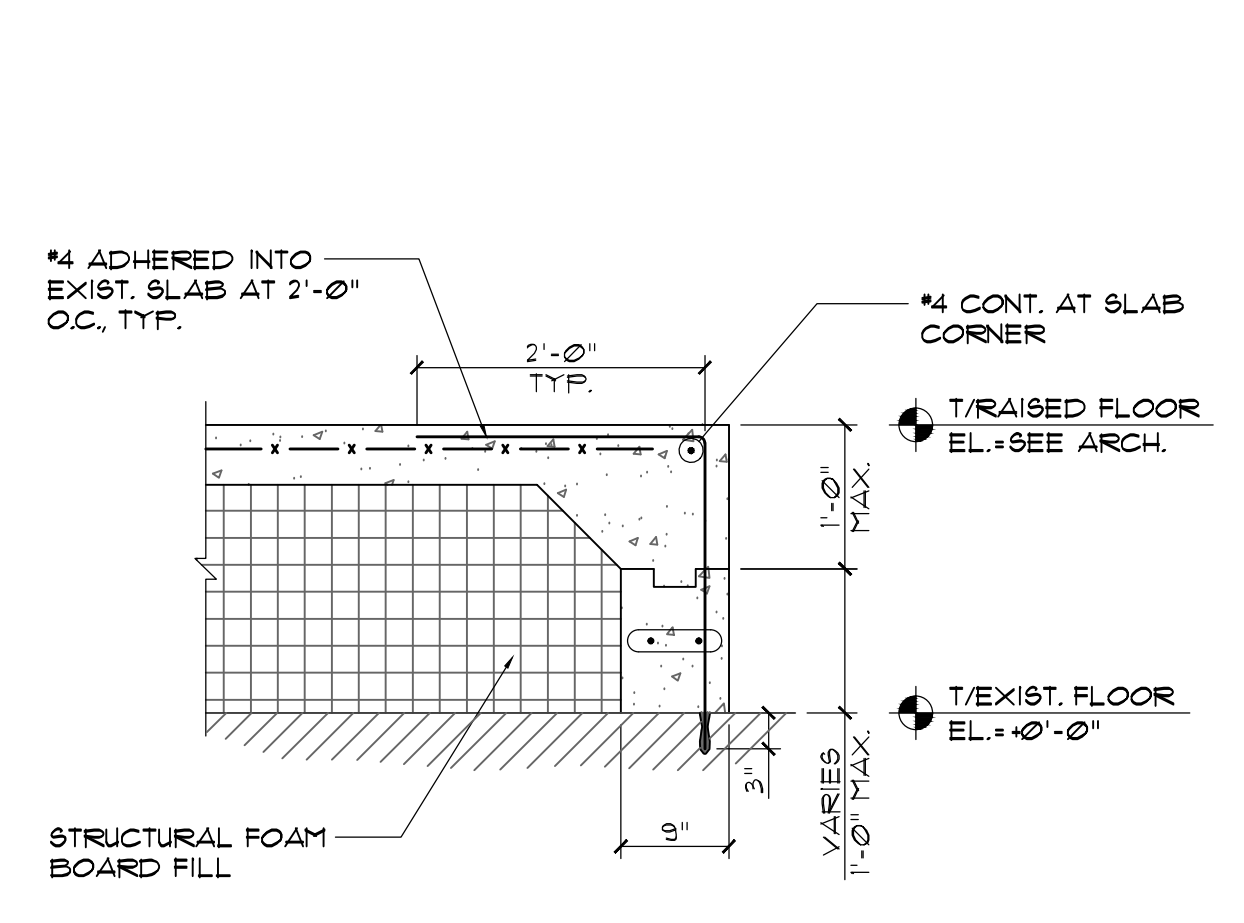
1 TYPICAL SLAB-ON-GRADE CONSTRUCTION
 831 SCALE: 3/4"=1'-0"



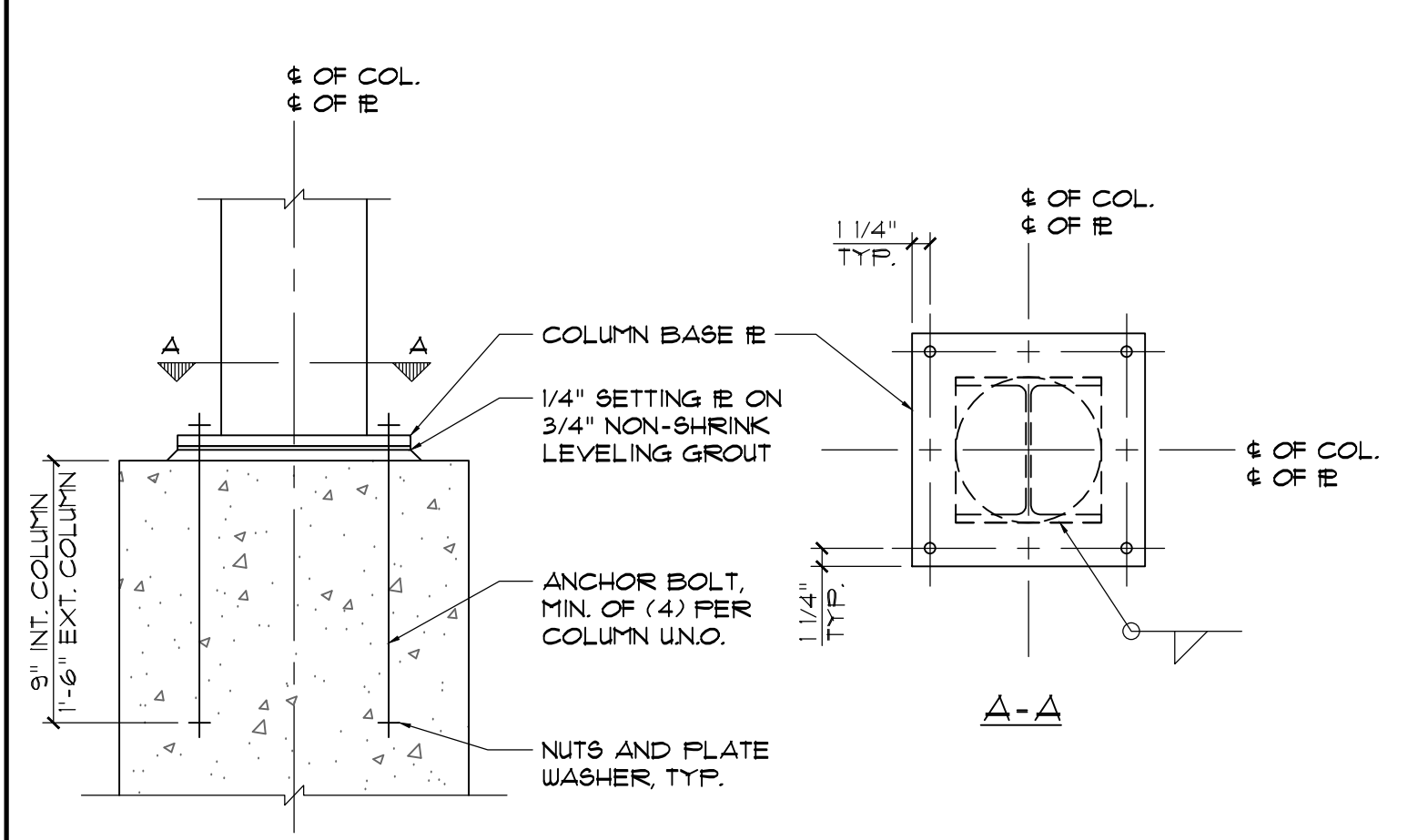
2 TYPICAL CONCRETE WALL CONSTRUCTION
 831 SCALE: 3/4"=1'-0"



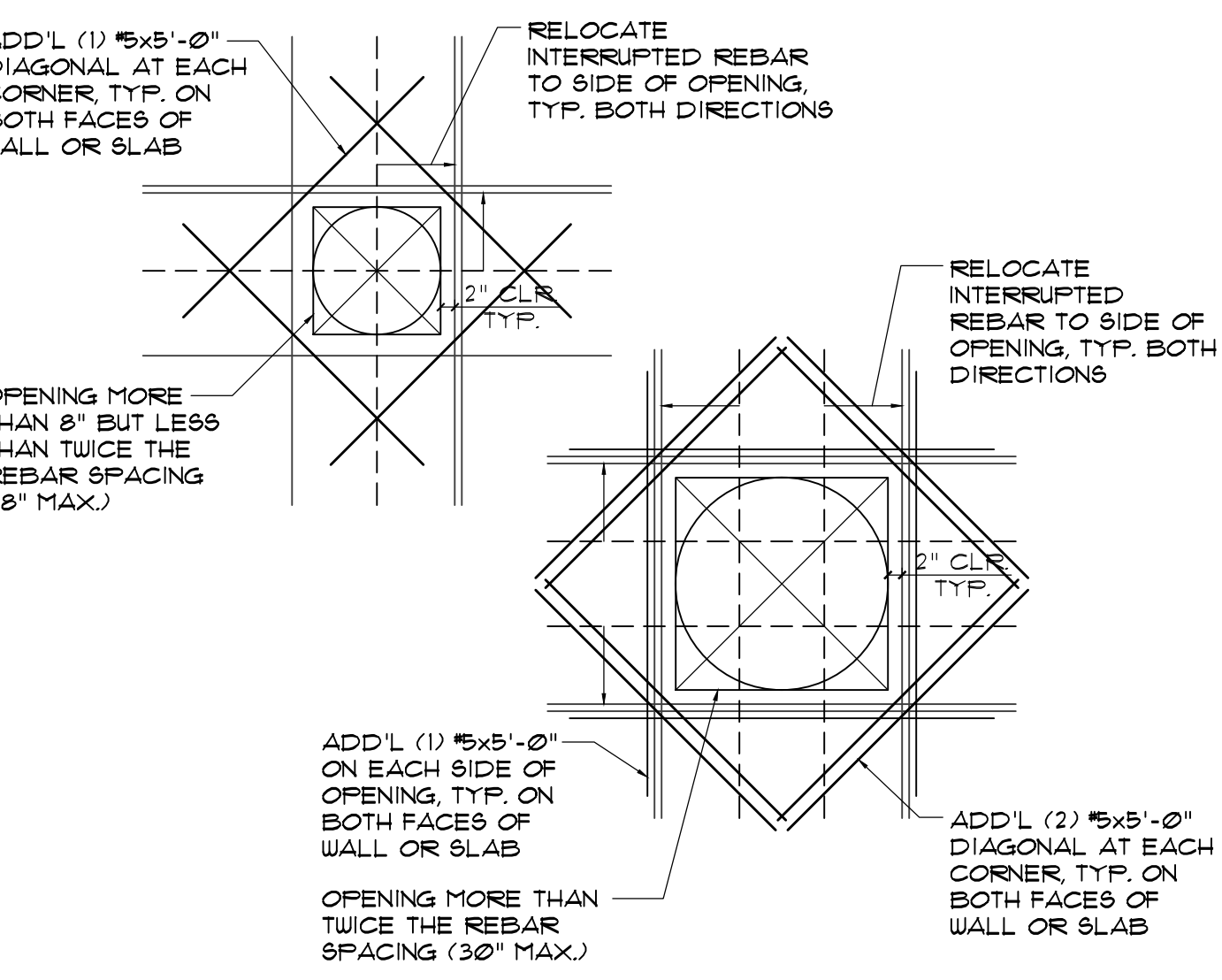
3 TYPICAL ISOLATION JOINT
 831 SCALE: 3/4"=1'-0"



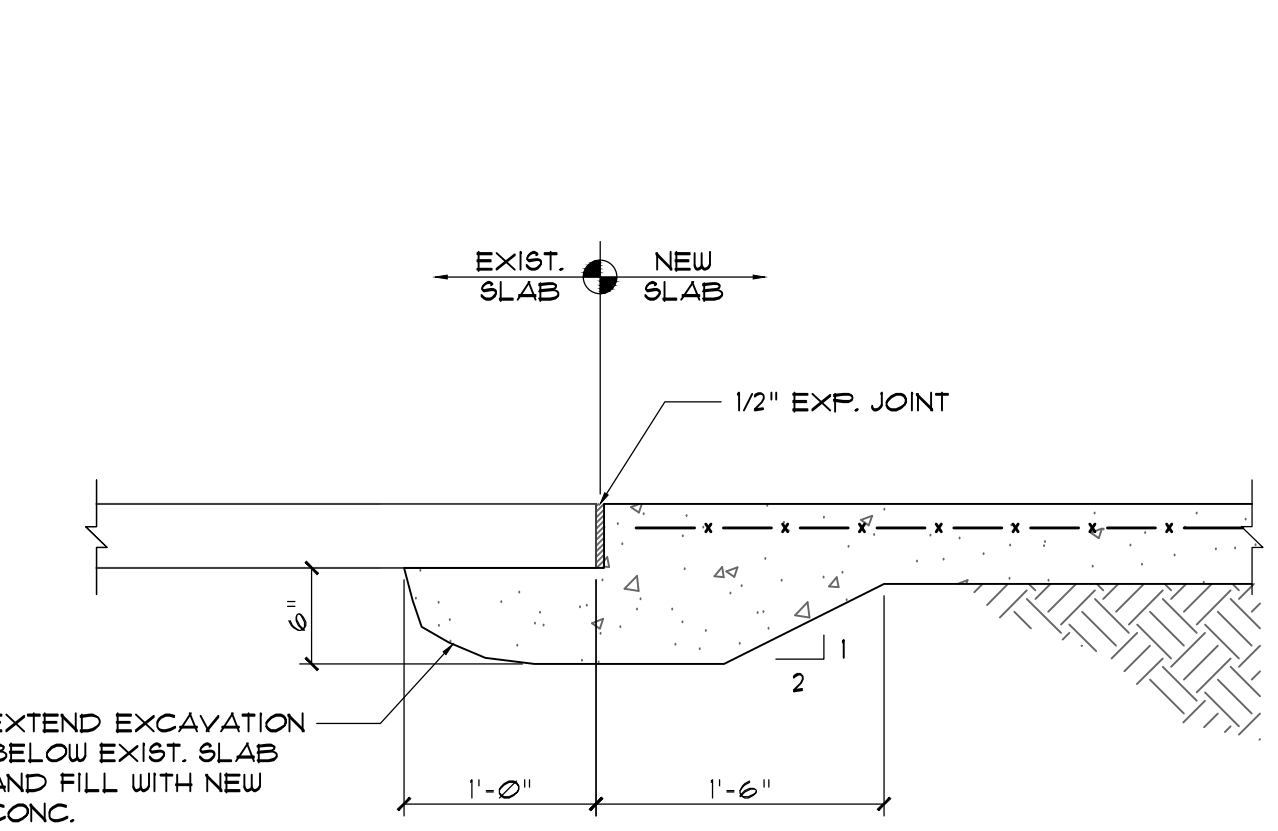
4 TYPICAL ELEVATED SLAB
 831 SCALE: 3/4"=1'-0"



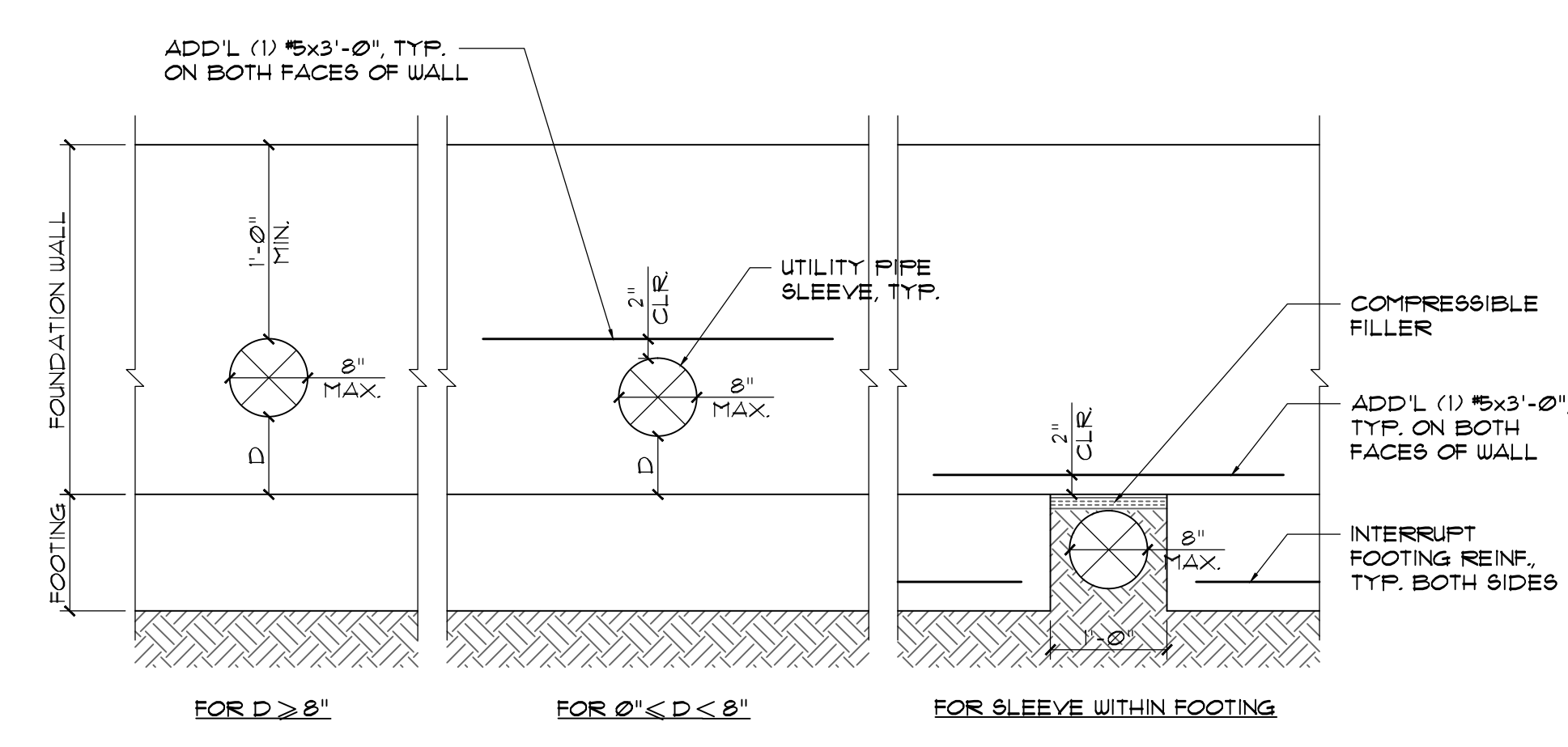
5 TYPICAL COLUMN BASE PLATE
 831 SCALE: 1"=1'-0"



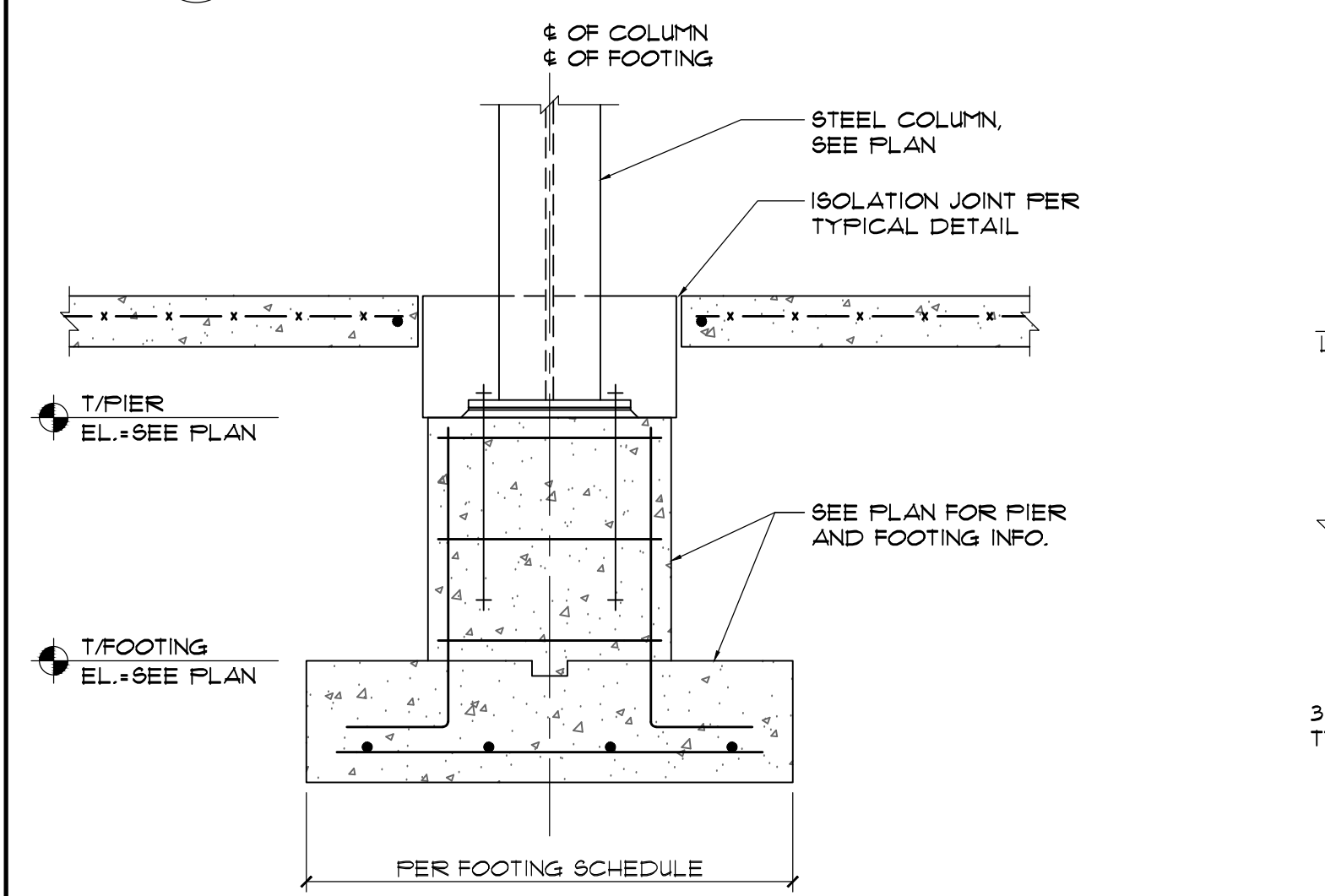
6 TYP. DETAIL AT WALL/SLAB OPENING
 831 SCALE: 1/2"=1'-0"



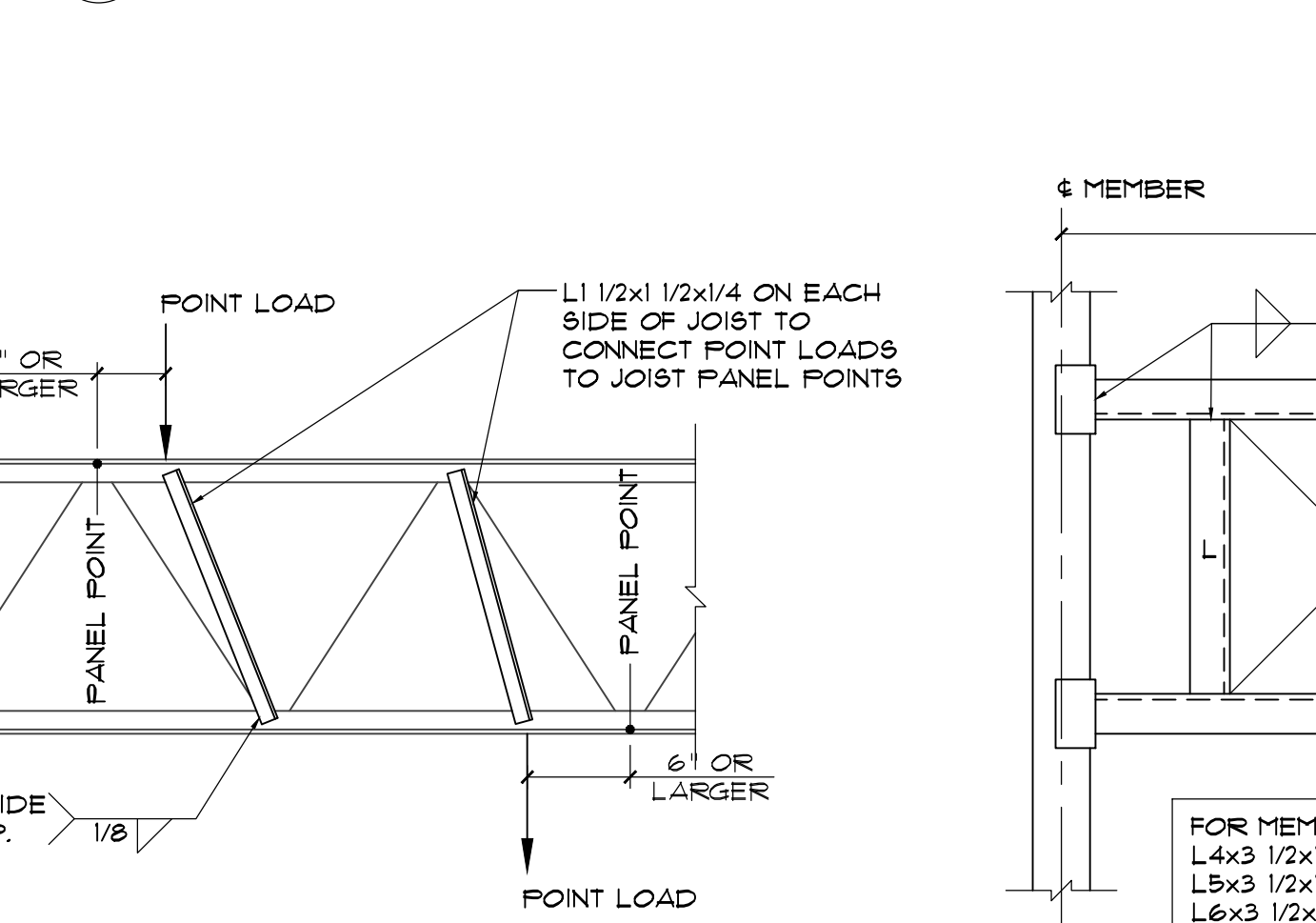
7 TYP. NEW/EXIST. SLAB CONNECTION
 831 SCALE: 1"=1'-0"



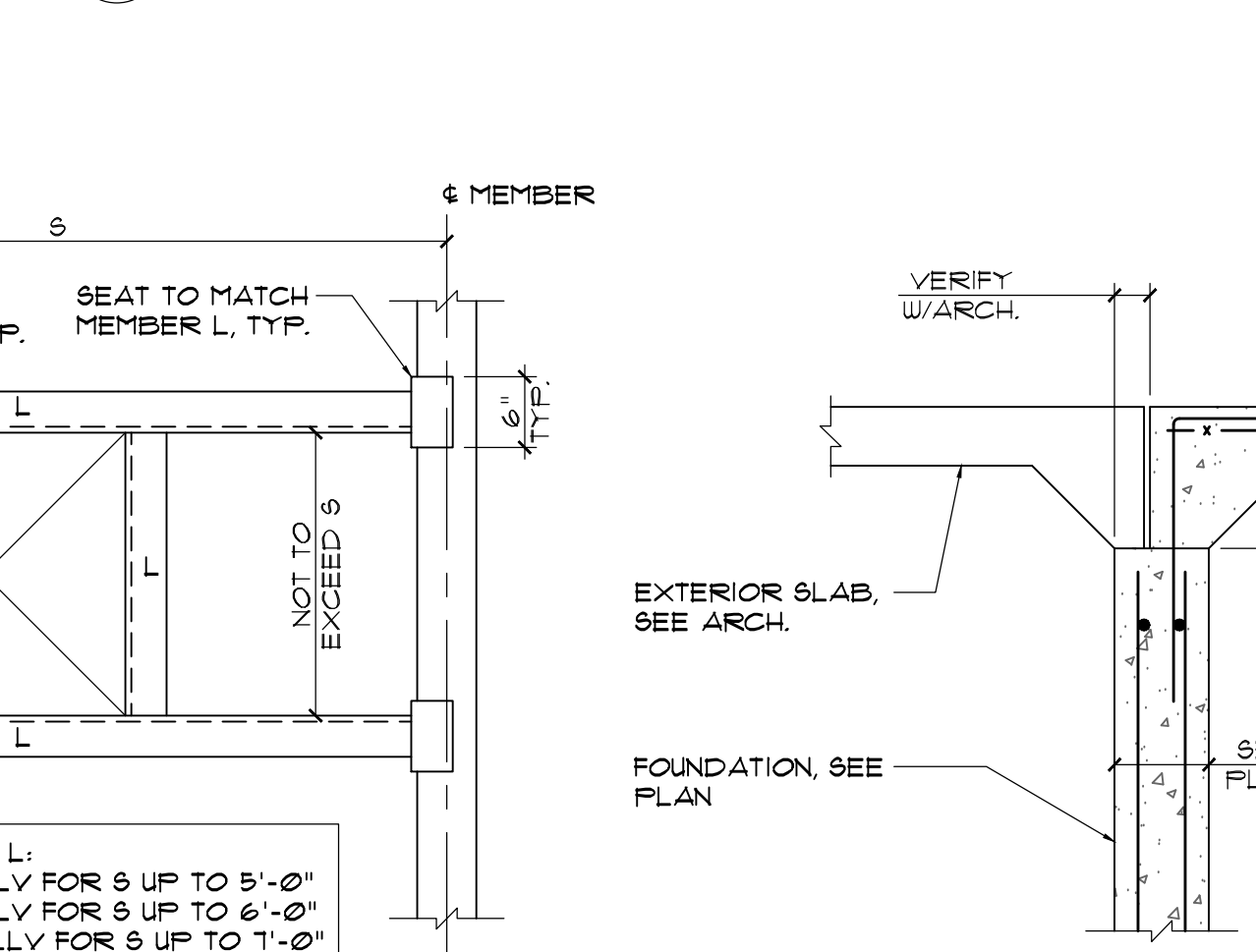
8 TYPICAL UTILITY SLEEVE THROUGH FOUNDATION WALL
 831 SCALE: 3/4"=1'-0"



9 TYP. FOOTING FOR EXTERIOR COLUMN
 831 SCALE: 3/4"=1'-0"



11 TYPICAL BAR JOIST REINFORCEMENT AT POINT LOADS
 831 SCALE: 1"=1'-0"



12 TYPICAL ROOF OPENING
 831 SCALE: 3/4"=1'-0"



13 TYP. SECTION AT EXT. DOOR
 831 SCALE: 3/4"=1'-0"

NOTE: CONTRACTOR SHALL OBTAIN AND VERIFY ALL DIMENSIONS AND CONDITIONS AT JOB SITE AND BE FULLY RESPONSIBLE FOR SAME.

REVISIONS			CCA PROJ. #	PREPARED
NO.	DATE	REMARKS	14357	OFF.
			DRAWN	APPROVED
			WC	
			CHECKED	APPROVED
			BC	

CORDOGAN, CLARK & ASSOCIATES, INC.
 ARCHITECTS • ENGINEERS
 www.cordoganclark.com

Aurora 960 Ridgeway Avenue Aurora, Illinois 60506 Tel 630.896.4678 Fax 630.896.4987

Chicago 716 North Wells Street Chicago, IL 60610 Tel 312.943.7300 Fax 312.943.4771



State of Illinois
 Bruce Rauner, Governor
 Illinois Capital Development Board

101% DESIGN SUBMITTAL

TYPICAL SECTIONS AND DETAILS

CONSTRUCT INNOVATION CENTER-ACADEMIC BUILDING
 ILLINOIS MATH AND SCIENCE ACADEMY
 1500 SULLIVAN ROAD
 AURORA, IL 60506

CDB PROJECT NO. 805-030-019
 DATE 06/02/2015
 SHEET NO. S3.1
 OF (5) SHEETS

BUILDING #CP 078